



Aciers inoxydables

EQUINOX inc.

Stainless steel



Sanitary Fitting Quincaillerie Sanitaire

Catalogue 2019-2020

WWW.EQUINOXSTAINLESS.COM

1 (877) 537-5933

3930, ALFRED-LALIBERTÉ, BOISBRIAND, QC J7H 1P8

TEL: (450) 437-5933 FAX: (450) 437-6094 INFO@EQUINOXSTAINLESS.COM

EQUINOX^{inc.}

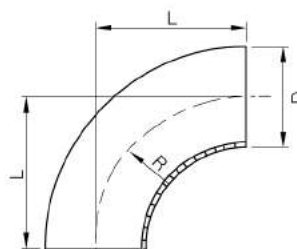
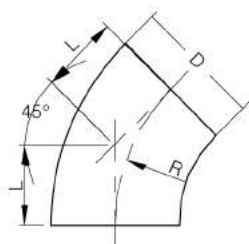
Equinox is a leader in the stainless steel manufactured product industry, based in Boisbriand. With over thirty years of experience, we specialize in equipments used by the pharmaceutical, food and chemical industries. With our wide line of fittings and processing equipments, we are able to offer you a complete service including engineering, technical support, custom made products, processing line design and installation. Our mission is to give quality services and fulfill customers' requirements and needs to the best of our abilities.



WWW.EQUINOXSTAINLESS.COM
WWW.EQUINOXSTORE.CA



WELDED ELBOW



WELDED ELBOW 45° 2WK

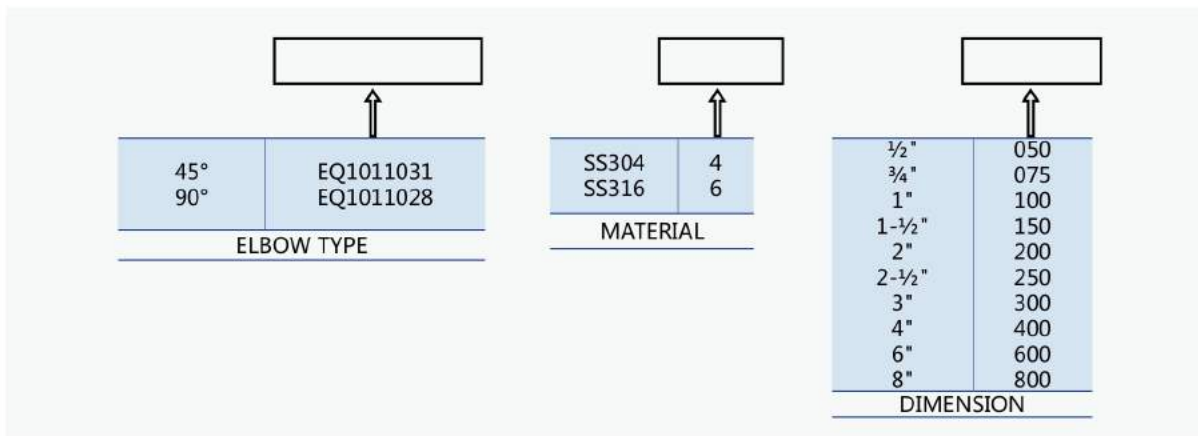
SIZE	L	D	R
½"	0.313	½	¾
¾"	0.466	¾	1 ¼
1"	0.625	1	1 ½
1 ½"	0.937	1 ½	2 ¼
2"	1.251	2	3
2 ½"	1.562	2 ½	3 ¾
3"	1.875	3	4 ½
4"	2.500	4	6
6"	3.750	6	9

WELDED ELBOW 90° 2WCL

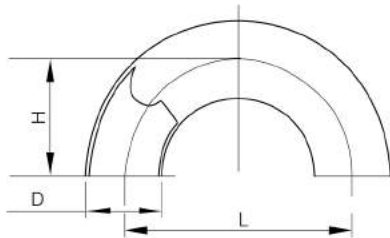
SIZE	L	D	R
½"	¾	½	¾
¾"	1 ¼	¾	1 ¼
1"	1 ½	1	1 ½
1 ½"	2 ¼	1 ½	2 ¼
2"	3	2	3
2 ½"	3 ¾	2 ½	3 ¾
3"	4 ½	3	4 ½
4"	6	4	6
6"	9	6	9

The dimensions listed in the tables may differ from reality

Ordering information



WELDED ELBOW



Welded 180° Elbow 2WU

SIZE	L	D	H
1"	3	1	1 ½
1 ½"	4 ½	1 ½	2 ¼
2"	6	2	3
2 ½"	7 ½	2 ½	3 ¾
3"	9	3	4 ½
4"	12	4	6

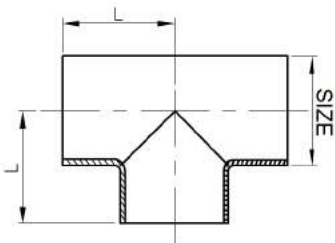


The dimensions listed in the tables may differ from reality

Ordering information

<div style="border: 1px solid black; width: 100px; height: 20px; margin: 0 auto;"></div>		<div style="border: 1px solid black; width: 100px; height: 20px; margin: 0 auto;"></div>		<div style="border: 1px solid black; width: 100px; height: 20px; margin: 0 auto;"></div>	
45°	↑ EQ1011031 EQ1011028 EQ1011034	SS304	4	½"	050
90°		SS316	6	¾"	075
180°		MATERIAL		1"	100
ELBOW TYPE		1-½"	150		
		2"	200	2-½"	250
		3"	300	3"	300
		4"	400	4"	400
		6"	600	6"	600
		8"	800	8"	800
		DIMENSION			

WELDED TEE WELDED CROSS

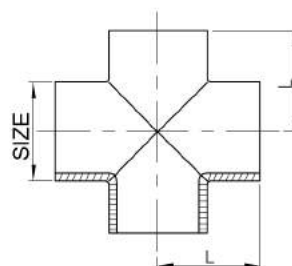


**Welded Tee Short
7WWW**

SIZE	L
½"	0.750
¾"	1.125
1"	1.125
1 ½"	1.656
2"	2.063
2 ½"	2.344
3"	2.594
4"	3.438

**Welded Tee Long
7W**

SIZE	L
½"	1.875
¾"	1.875
1"	1.875
1 ½"	2.250
2"	3.000
2 ½"	3.000
3"	3.250
4"	3.875



**Welded Cross Short
9WWW** **Welded Cross Long
9W**

SIZE	L
½"	0.750
¾"	1.125
1"	1.125
1 ½"	1.656
2"	2.063
2 ½"	2.344
3"	2.594
4"	3.438

SIZE	L
½"	1.875
¾"	1.875
1"	1.875
1 ½"	2.250
2"	3.000
2 ½"	3.000
3"	3.250
4"	3.875

Ordering information



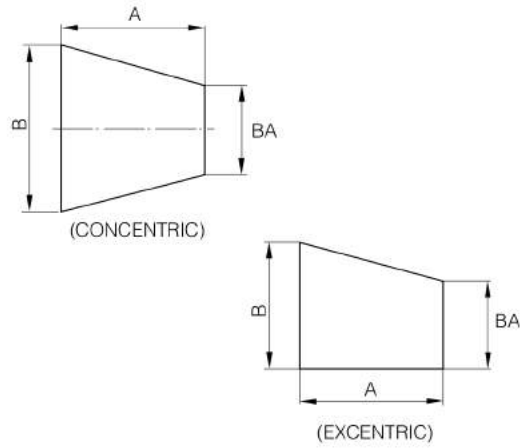
TEE	EQ1011035	↑
CROSS	EQ1011039	
TEE Long	EQ1011036	
CROSS Long	EQ1011038	
TYPE		

SS304	4	↑
SS316	6	
MATERIAL		

½"	050	↑
¾"	075	
1"	100	
1-½"	150	
2"	200	
2-½"	250	
3"	300	
4"	400	
6"	600	
DIMENSION		

The dimensions listed in the tables may differ from reality

WELDED REDUCER



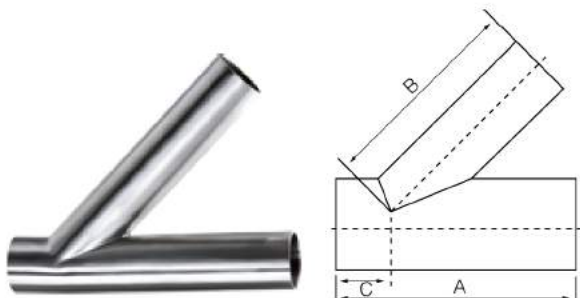
**CONCENTRIC REDUCER 31W
EXCENTRIC REDUCER 32W**

SIZE	A	B	BA
0.75"/0.5"	1	¾	½
1.0"/0.5"	1	1	½
1.0"/0.75"	1	1	¾
1.5"/0.5"	2	1 ½	½
1.5"/0.75"	2	1 ½	¾
1.5"/1.0"	2	1 ½	1
2.0"/0.75"	5	2	¾
2.0"/1.0"	4	2	1
2.0"/1.5"	2	2	1 ½
2.5"/1.0"	6	2 ½	1
2.5"/1.5"	4	2 ½	1 ½
2.5"/2.0"	2	2 ½	2
3.0"/1.5"	6	3	1 ½
3.0"/2.0"	4	3	2
3.0"/2.5"	2	3	2 ½
4.0"/1.5"	10	4	1 ½
4.0"/2.0"	8	4	2
4.0"/2.5"	6	4	2 ½
4.0"/3.0"	4	4	3
6.0"/3.0"	5.5	6	3
6.0"/4.0"	5.5	6	4
8.0"/4.0"	8	8	4
8.0"/6.0"	4	8	6

Ordering information

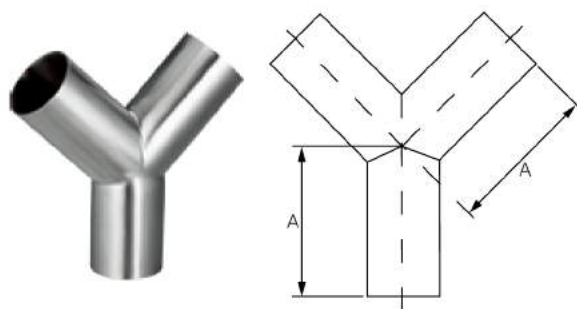
<div style="border: 1px solid black; width: 100px; height: 20px; margin: 0 auto;"></div>		<div style="border: 1px solid black; width: 100px; height: 20px; margin: 0 auto;"></div>		<div style="border: 1px solid black; width: 100px; height: 20px; margin: 0 auto;"></div>	
↑	↑	↑	↑	↑	↑
CONC. EXC.	EQ1RCBW EQ1REBW	SS304 SS316	4 6	0.75"/0.5"	075050
REDUCER TYPE				MATERIAL	
				1.0"/0.5"	100050
				1.0"/0.75"	100075
				1.5"/0.5"	150050
				1.5"/0.75"	150075
				1.5"/1.0"	150100
				2.0"/0.5"	200050
				2.0"/0.75"	200075
				2.0"/1.0"	200100
				2.0"/1.5"	200150
				2.5"/1.0"	250100
				2.5"/1.5"	250150
				2.5"/2.0"	250200
				3.0"/1.0"	300100
				3.0"/1.5"	300150
				3.0"/2.0"	300200
				3.0"/2.5"	300250
				4.0"/1.5"	400150
				4.0"/2.0"	400200
				4.0"/2.5"	400250
				4.0"/3.0"	400300
				6.0"/3.0"	600300
				6.0"/4.0"	600400
				8.0"/4.0"	800400
				8.0"/6.0"	800600
DIMENSION					

WELDED LATERAL-Y-TEE WELDED TRUE-Y-TEE



Welded Lateral-Y- Tee 28WA

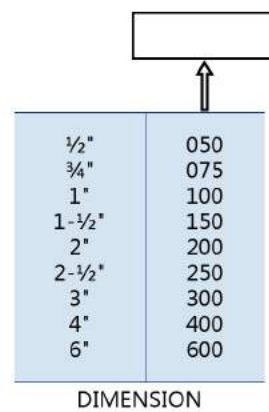
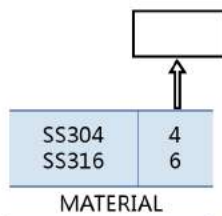
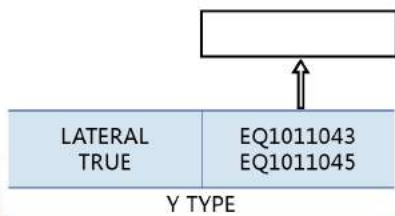
SIZE	A	B	C
½"	6	5	1
¾"	6	5	1
1"	6	5	1
1 ½"	7.397	6.814	1.188
2"	8.75	7.125	1.625
2 ½"	10	8.5	1.5
3"	10.75	8.875	1.875
4"	12.812	10.75	2.063
6"	16.5	12.5	4.000



Welded True -Y- Tee 28WB

SIZE	A
½"	2
¾"	2
1"	2.6
1 ½"	3
2"	4
2 ½"	5
3"	6
4"	8
6"	8

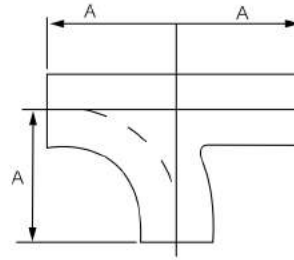
Ordering information



The dimensions listed in the tables may differ from reality



WELDED CURVED-Y-TEE



Welded Curved -Y- Tee

SIZE	A
1"	2.559
1 ½"	3.346
2"	4.330
2 ½"	5.314
3"	6.102
4"	7.677

Ordering information

EQ1011046

MATERIAL		DIMENSION	
SS304	4	1"	100
SS316	6	1"-½"	150
		2"	200
		2"-½"	250
		3"	300
		4"	400

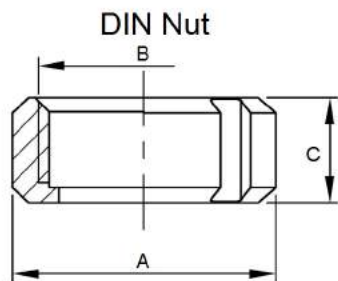
Ordering information

EQ1CP16W46

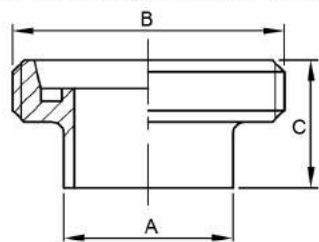


DIMENSION	
1"	0100
1"-½"	0150
2"	0200
2"-½"	0250
3"	0300
4"	0400
6"	0600
8"	0800
10"	1000
12"	1200

UNION DIN



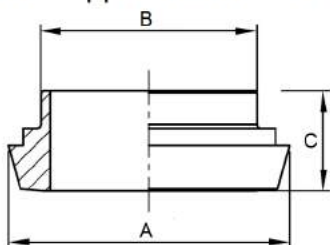
DIN Threaded Male Ferrule



DIN Union

SIZE	B
DIN25	Rd52x1/6
DIN32	Rd58x1/6
DIN40	Rd65x1/6
DIN50	Rd78x1/6
DIN65	Rd95x1/6
DIN80	Rd110x1/4
DIN100	Rd130x1/4

DIN Stepped Liner Ferrule



SS304

Ordering information

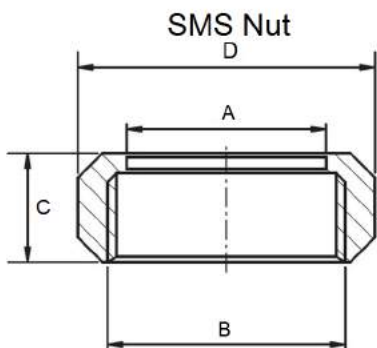
EQ6000

Nut	14	↑
Threaded Male	24	
Stepped Liner	34	
TYPE		

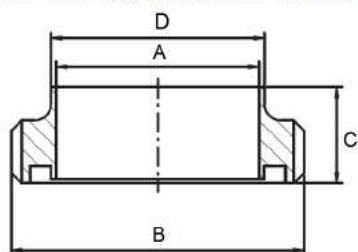
DN25	025	↑
DN32	032	
DN40	040	
DN50	050	
DN65	065	
DN80	080	
DN100	100	
DIMENSION		

The dimensions listed in the tables may differ from reality

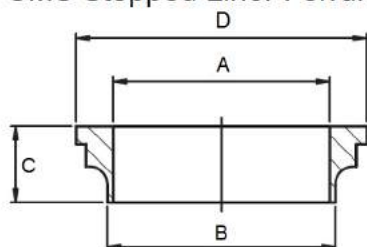
UNION SMS



SMS Threaded Male Ferrule



SMS Stepped Liner Ferrule



SMS Union

SIZE	B
25mm	Rd40x1/6
38mm	Rd60x1/6
51mm	Rd70x1/6
63mm	Rd85x1/6
76mm	Rd98x1/6
102mm	Rd132x1/6

SS304

Ordering information

EQ600

Nut	11
Threaded Male	12
Stepped Liner	14
TYPE	

4

SMS 25mm	25
SMS 38mm	38
SMS 51mm	51
SMS 63mm	63
SMS 76mm	76
SMS 102mm	102
DIMENSION	

The dimensions listed in the tables may differ from reality

FLANGE



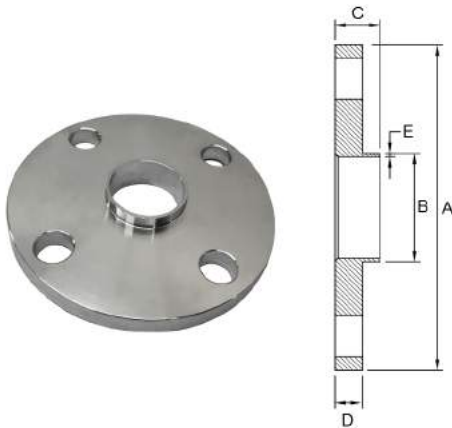
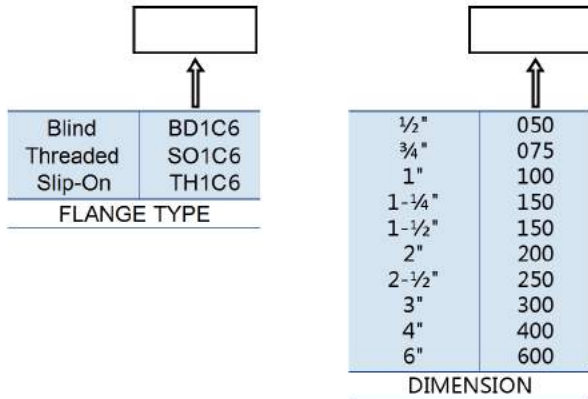
Slip-on, Threaded and Blind Flange

SIZE	Outside Dia.	Thickness	No. of Holes	Dia. of Holes	Dia. of Bolts	Dia. Bolt Circle
1/2"	3.50	0.44	4	0.62	0.50	2.38
3/4"	3.88	0.50	4	0.62	0.50	2.75
1"	4.25	0.56	4	0.62	0.50	3.12
1 1/4"	4.62	0.62	4	0.62	0.50	3.50
1 1/2"	5.00	0.69	4	0.62	0.50	3.88
2"	6.00	0.75	4	0.75	0.62	4.75
2 1/2"	7.00	0.88	4	0.75	0.62	5.50
3"	7.50	0.94	4	0.75	0.62	6.00
3 1/2"	8.50	0.94	8	0.75	0.62	7.00
4"	9.00	0.94	8	0.75	0.62	7.50

SS316

Ordering information

EQ0FL



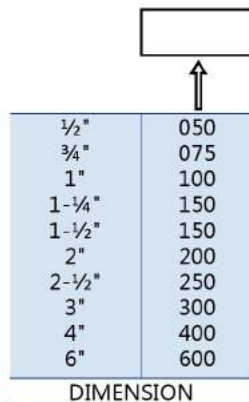
38W Weld Neck Flange

SIZE	A	B	C	D	E	No. of Holes
1"	4.250	1.000	0.647	0.375	0.063	4
1 1/2"	5.000	1.500	0.647	0.375	0.063	4
2"	6.000	2.000	0.772	0.500	0.063	4
2 1/2"	7.000	2.500	0.772	0.500	0.063	4
3"	7.500	3.000	0.772	0.500	0.063	4
4"	9.000	4.000	0.772	0.500	0.083	8

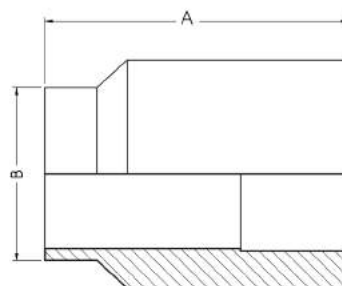
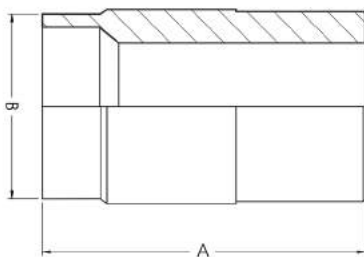
SS316

Ordering information

EQ1FL38W6



ADAPTOR 19WB ADAPTOR 22WB



Adaptor 19WB tube x NPT(M)

TUBE SIZE	NPT	A	B
1"	¾	1.750	1.000
1"	1	1.750	1.000
1 ½"	1	1.750	1.500
1 ½"	1 ½	1.750	1.500
2"	1 ½	1.813	2.000
2"	2	1.813	2.000

Adaptor 22WB tube x NPT(F)

TUBE SIZE	NPT	A	B
1"	¾	1.750	1.000
1"	1	1.750	1.000
1 ½"	1	1.750	1.500
1 ½"	1 ½	1.750	1.500
2"	1 ½	1.813	2.000
2"	2	1.813	2.000

Ordering information

EQ6008

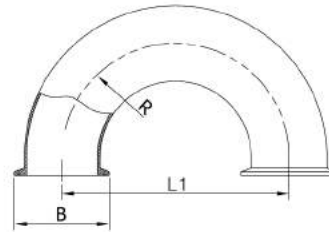
26 Adaptor 19WB	26
36 Adaptor 22WB	36
TYPE	

1" x ¾"	100075
1" x 1"	100100
1 ½" x 1"	150100
1 ½" x 1 ½"	150150
2" x 1 ½"	200150
2" x 2"	200200
DIMENSION	

The dimensions listed in the tables may differ from reality



CLAMPED ELBOW



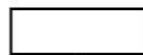
Clamped Elbow 180° 2UMP

SIZE	L1	B	R
1"	3.000	1.988	1 ½
1 ½"	4.500	1.988	2 ¼
2"	6.000	2.519	3
2 ½"	7.500	3.051	3 ¾
3"	9.000	3.582	4 ½
4"	12	4.685	6

SS316

Ordering information

EQ1012036



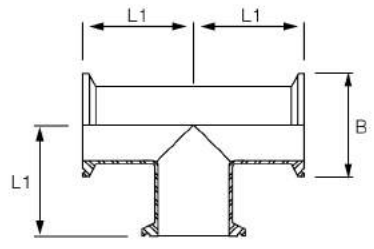
½"	050
¾"	075
1"	100
1-½"	150
2"	200
2-½"	250
3"	300
4"	400
6"	600
8"	800

DIMENSION

The dimensions listed in the tables may differ from reality

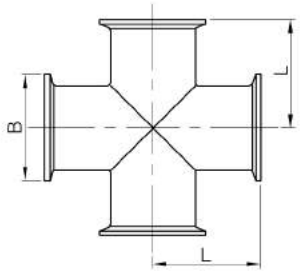


CLAMPED TEE CLAMPED CROSS



Clamped Tee 7MP

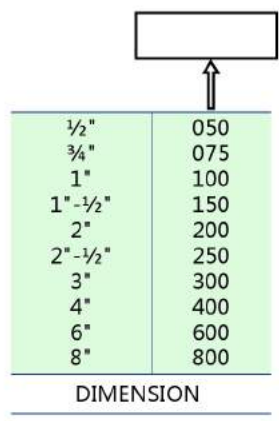
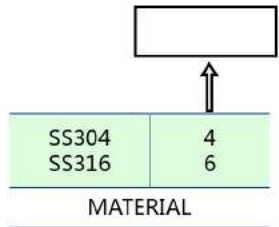
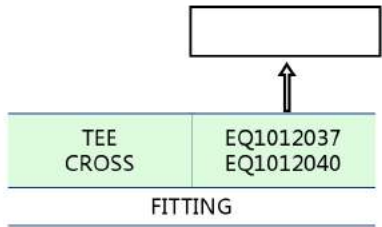
SIZE	L1	B
½"	1.500	1.000
¾"	1.625	1.000
1"	2.375	1.988
1 ½"	2.750	1.988
2"	3.500	2.519
2 ½"	3.500	3.051
3"	3.750	3.582
4"	4.500	4.685
6"	6.375	6.575



Clamped Cross 9MP

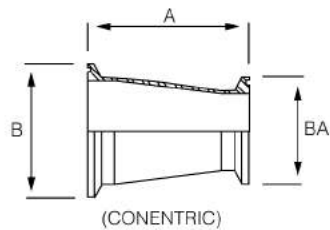
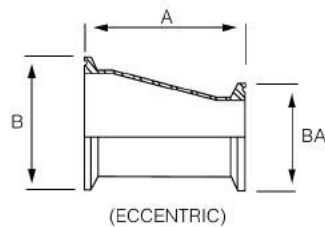
SIZE	L	B
1"	2.375	1.988
1 ½"	2.750	1.988
2"	3.500	2.519
2 ½"	3.500	3.051
3"	3.750	3.582
4"	4.500	4.685
6"	6.375	6.575

Ordering information



The dimensions listed in the tables may differ from reality

CLAMPED REDUCER



CLAMPED CONCENTRIC REDUCER 31-14MP CLAMPED EXCENTRIC REDUCER 32-14MP

SIZE	A	B	BA
0.75"/0.5"	2.000	1.000	1.000
1.0"/0.5"	2.000	1.988	1.000
1.0"/0.75"	2.000	1.988	1.000
1.5"/0.5"	3.000	1.988	1.000
1.5"/0.75"	3.000	1.988	1.000
1.5"/1.0"	3.000	1.988	1.988
2.0"/1.0"	5.000	2.519	1.988
2.0"/1.5"	3.000	2.519	1.988
2.5"/1.0"	7.000	3.051	1.988
2.5"/1.5"	5.000	3.051	1.988
2.5"/2.0"	3.000	3.051	2.519
3.0"/1.5"	7.000	3.582	1.988
3.0"/2.0"	5.000	3.582	2.519
3.0"/2.5"	3.000	3.582	3.051
4.0"/1.5"	11.125	4.685	1.988
4.0"/2.0"	9.125	4.685	2.519
4.0"/2.5"	7.125	4.685	3.051
4.0"/3.0"	5.125	4.685	3.582
6.0"/3.0"	6.875	6.625	3.582
6.0"/4.0"	6.875	6.625	4.685

Ordering information

[]	
↑	[]
CONCENTRIC	1RCTC
EXCENTRIC	1RETC
REDUCE TYPE	

[]	
↑	[]
SS304	4
SS316	6
MATERIAL	

[]	
↑	[]
0.75"/0.5"	075050
1.0"/0.5"	100050
1.0"/0.75"	100075
1.5"/0.5"	150050
1.5"/0.75"	150075
1.5"/1.0"	150100
2.0"/1.0"	200100
2.0"/1.5"	200150
2.5"/1.0"	250100
2.5"/1.5"	250150
2.5"/2.0"	250200
3.0"/1.5"	300150
3.0"/2.0"	300200
3.0"/2.5"	300250
4.0"/1.5"	400150
4.0"/2.0"	400200
4.0"/2.5"	400250
4.0"/3.0"	400300
6.0"/3.0"	600300
6.0"/4.0"	600400
DIMENSION	

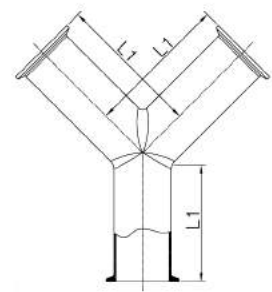
The dimensions listed in the tables may differ from reality

CLAMPED TRUE-Y-TEE



**Clamped True Y
28BMP**

SIZE	L1
1/2"	2 1/2
3/4"	2 1/2
1"	3 1/2
1 1/2"	3 1/2
2"	4 1/2
2 1/2"	5 1/2
3"	6 1/2
4"	8 5/8



SS316

Ordering information

EQ10120456

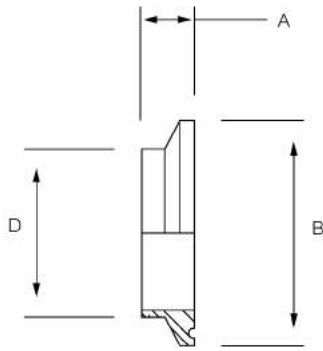
SIZE	PRICE
1/2"	050
3/4"	075
1"	100
1 1/2"	150
1"	100
1 1/2"	150
2"	200
2 1/2"	250
3"	300
4"	400

DIMENSION

The dimensions listed in the tables may differ from reality

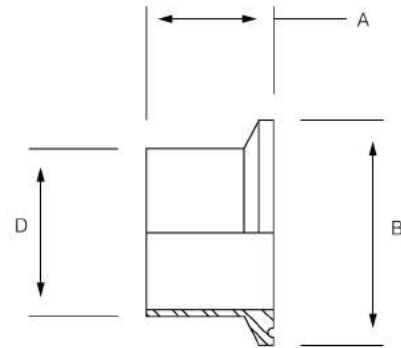


SHORT FERRULE LONG FERRULE



Short Ferrule 14WMP

SIZE	B	D	A
½"	1.000	½	½
¾"	1.000	¾	½
1"	1.988	1	½
1 ½"	1.988	1 ½	½
2"	2.519	2	½
2 ½"	3.051	2 ½	½
3"	3.582	3	½
4"	4.685	4	⅝
6"	6.575	6	⅞
8"	8.570	8	⅞
10"	10.570	10	⅞



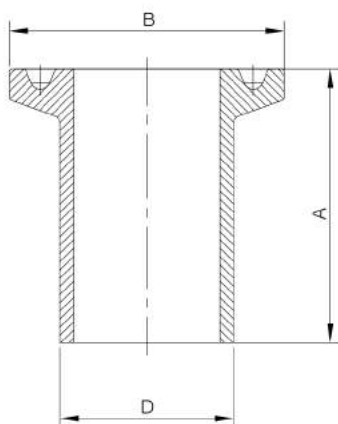
Long Ferrule L14AM7

SIZE	B	D	A
½"	1.000	½	1 ½
¾"	1.000	¾	1 ½
1"	1.988	1	1 ½
1 ½"	1.988	1 ½	1 ½
2"	2.519	2	1 ½
2 ½"	3.051	2 ½	1 ½
3"	3.582	3	1 ½
4"	4.685	4	1 ½
6"	6.575	6	1 ½
8"	8.570	8	1 ½
10"	10.570	10	1 ½

The dimensions listed in the tables may differ from reality



EXTRA LONG FERRULE



XLong Ferrule

SIZE	B	D	A
1"	1.988	1	4 ½
1 ½"	1.988	1 ½	4 ½
2"	2.519	2	4 ½
2 ½"	3.051	2 ½	4 ½
3"	3.582	3	4 ½
4"	4.685	4	4 ½
6"	6.575	6	4 ½
8"	8.570	8	4 ½
10"	10.570	10	4 ½

Ordering information

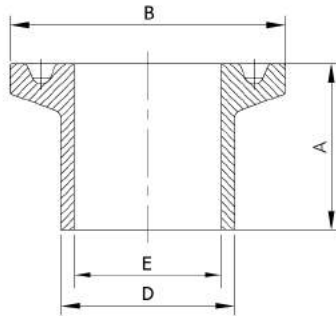
[]	
↑	
SHORT	EQ1031010W
LONG	EQ1031010A
XLONG	EQ1031010L
FERRULE TYPE	

[]	
↑	
SS304	4
SS316	6
MATERIAL	

[]	
↑	
1"	100
1 ½"	150
2"	200
2 ½"	250
3"	300
4"	400
6"	600
8"	800
10"	1000
DIMENSION	



HEAVY DUTY FERRULE



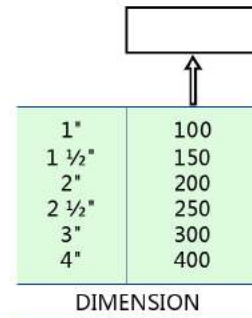
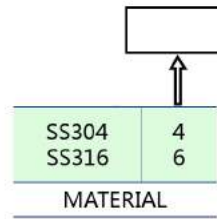
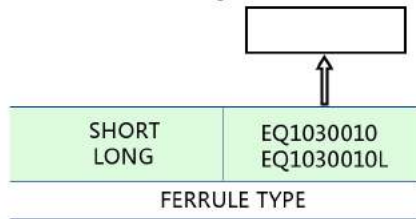
Short Ferrule Heavy Duty C14-H

SIZE	B	E	D	A
1"	1.988	0.875	1.125	1 5/8
1 1/2"	1.988	1.400	1.676	1 5/8
2"	2.519	1.868	2.192	1 3/4
2 1/2"	3.051	2.368	2.708	1 3/4
3"	3.582	2.868	3.224	1 13/16
4"	4.685	3.832	4.256	2 1/8

Long Ferrule Heavy Duty C14-HL

SIZE	B	E	D	A
1"	1.988	0.875	1.125	4
1 1/2"	1.988	1.400	1.676	4
2"	2.519	1.868	2.192	4
2 1/2"	3.051	2.368	2.708	4
3"	3.582	2.868	3.224	4
4"	4.685	3.832	4.256	4

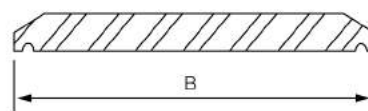
Ordering information



END CAP

END CAP 16AQ-14Q

SIZE	B
¾"	1.000
1"	1.988
1 ½"	1.988
2"	2.519
2 ½"	3.051
3"	3.582
4"	4.685
6"	6.575
8"	8.570
10"	10.570
12"	12.500



Ordering information

EQ1032016

MATERIAL	
SS304	4
SS316	6

DIMENSION	
¾"	075
1"	150
1 ½"	150
2"	200
2 ½"	250
3"	300
4"	400
6"	600
8"	800
10"	1000
12"	1200

The dimensions listed in the tables may differ from reality



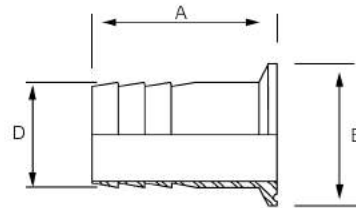
Aciers inoxydables
EQUINOX inc.
Stainless steel



HOSE COUPLING

HOSE COUPLING

SIZE	A	B	D
3/4" x 1/4"	2.000	1.000	1/4
3/4" x 3/8"	2.000	1.000	3/8
3/4" x 1/2"	2.000	1.000	1/2
3/4" x 3/4"	2.000	1.000	3/4
1 1/2" x 1/8"	1.700	1.988	1/8
1 1/2" x 1/4"	2.000	1.988	1/4
1 1/2" x 3/8"	2.000	1.988	3/8
1 1/2" x 1/2"	2.000	1.988	1/2
1 1/2" x 5/8"	2.000	1.988	5/8
1 1/2" x 3/4"	2.500	1.988	3/4
1 1/2" x 1"	3.000	1.988	1
1 1/2" x 1 1/2"	3.000	1.988	1 1/2
2" x 1/2"	3.000	2.516	1/2
2" x 3/4"	3.000	2.516	3/4
2" x 1"	3.000	2.516	1
2" x 1 1/2"	3.000	2.516	1 1/2
2" x 2"	3.500	2.516	2
2 1/2" x 2 1/2"	3.500	3.051	2 1/2
3" x 3"	4.000	3.582	3



HOSE BARB



Ordering information

EQ11CH

MATERIAL	
SS304	4
SS316	6

3/4" x 1/4"	075025
3/4" x 3/8"	075038
3/4" x 1/2"	075050
3/4" x 3/4"	075075
1 1/2" x 1/8"	150012
1 1/2" x 1/4"	150025
1 1/2" x 3/8"	150038
1 1/2" x 1/2"	150050
1/2" x 5/8"	150058
1 1/2" x 3/4"	150075
1 1/2" x 1"	150100
1 1/2" x 1 1/2"	150150
2" x 1/2"	200050
2" x 3/4"	200075
2" x 1"	200100
2" x 1 1/2"	200150
2" x 2"	200200
2 1/2" x 2 1/2"	250250
3" x 3"	300300
4" x 4"	400400
6" x 6"	600600

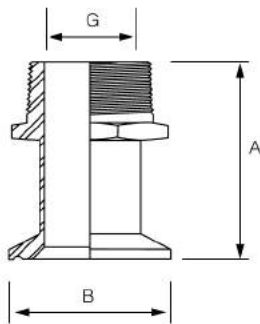


CLAMPS HOSES AND TUBES FLEXIBLES ARE AVAILABLE

DIMENSION

The dimensions listed in the tables may differ from reality

CLAMPED TO MALE NPT ADAPTOR



SIZE	A	B	G NPT(M)
3/4" x 1/2"	2.047	1.000	1/2
1 1/2" x 3/8"	2.04	1.988	3/8
1 1/2" x 3/4"	2.04	1.988	3/4
1 1/2" x 1"	2.362	1.988	1
1 1/2" x 1 1/4"	2.440	1.988	1 1/4
1 1/2" x 1 1/2"	2.440	1.988	1 1/2
1 1/2" x 2"	2.637	1.988	2
2" x 1/2"	2.283	2.519	1/2
2" x 3/4"	2.283	2.519	3/4
2" x 1"	2.637	2.519	1
2" x 1 1/4"	2.795	2.519	1 1/4
2" x 1 1/2"	2.795	2.519	1 1/2
2" x 2"	2.440	2.519	2
3" x 3"	1.968	3.582	3

Ordering information

EQ1TCTM

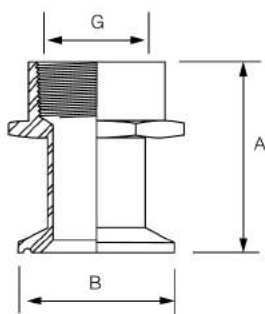
SS304	4
SS316	6
MATERIAL	

3/4" x 1/2"	075050
1 1/2" x 3/8"	150038
1 1/2" x 3/4"	150075
1 1/2" x 1"	150100
1 1/2" x 1 1/4"	150125
1 1/2" x 1 1/2"	150150
1 1/2" x 2"	150200
2" x 1/2"	200050
2" x 3/4"	200075
2" x 1"	200100
2" x 1 1/4"	200125
2" x 1 1/2"	200150
2" x 2"	200200
3" x 3"	300300
DIMENSION	

The dimensions listed in the tables may differ from reality



CLAMPED TO FEMALE NPT ADAPTOR



SIZE	A	B	G NPT(F)
3/4" x 1/2"	2.047	1.000	1/2
1 1/2" x 3/4"	2.204	1.988	3/4
1 1/2" x 1"	2.283	1.988	1
1 1/2" x 1 1/4"	2.440	1.988	1 1/4
1 1/2" x 1 1/2"	2.440	1.988	1 1/2
1 1/2" x 2"	2.440	1.988	2
2" x 1"	2.716	2.519	1
2" x 1 1/4"	2.677	2.519	1 1/4
2" x 1 1/2"	2.795	2.519	1 1/2
2" x 2"	2.440	2.519	2

Ordering information

EQ1TCTF

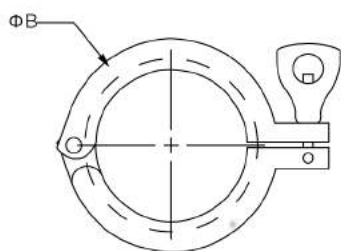
[]	
↑	
SS304	4
SS316	6
MATERIAL	

[]	
↑	
3/4" x 1/2"	075050
1 1/2" x 3/4"	150075
1 1/2" x 1"	150100
1 1/2" x 1 1/4"	150125
1 1/2" x 1 1/2"	150150
2" x 1 1/2"	200150
2" x 2"	200200
DIMENSION	

The dimensions listed in the tables may differ from reality



HEAVY DUTY CLAMP

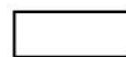


Clamp 13MMH SS304

SIZE	ØB
½" & ¾"	1.125
1" & 1 ½"	2.122
2"	2.654
2 ½"	3.185
3"	3.717
4"	4.820
6"	6.695
8"	8.695
10"	10.695
12"	12.695

Ordering information

EQ10300194



½" & ¾"	075
1" & 1 ½"	150
2"	200
2 ½"	250
3"	300
4"	400
6"	600
8"	800
10"	1000
12"	1200

DIMENSION

The dimensions listed in the tables may differ from reality



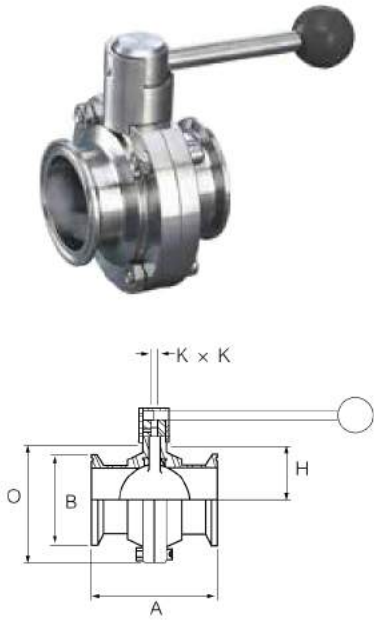
SPARE NUT :

EQ103001841516

VALVES



BUTTERFLY VALVE



SS316

SIZE	O	B	KxK	A	H
½"	3.070	1.000	8.2x8.2	2.677	1.535
¾"	3.070	1.000	8.2x8.2	2.677	1.535
1"	3.070	1.988	8.2x8.2	2.677	1.535
1 ½"	3.149	1.988	8.2x8.2	2.834	1.574
2"	3.936	2.519	8.2x8.2	2.879	1.968
2 ½"	4.530	3.051	10.0x10.0	2.838	2.303
3"	5.040	3.582	10.0x10.0	2.918	2.539
4"	6.299	4.685	10.0x10.0	3.543	3.149
6"	8.858	6.574	12.0x12.0	5.724	4.429
8"	11.220	8.543	14.0x14.0	5.960	5.610
10"	FOR MORE DETAILS CALL US				

INCLUDES EPDM SEAT
FOR OTHER GASKET MATERIALS SEE PAGE 62

Ordering information

EQ20420386

½" & ¾"	075
1" & 1 ½"	150
2"	200
2 ½"	250
3"	300
4"	400
6"	600
8"	800
10"	1000
12"	1200
DIMENSION	

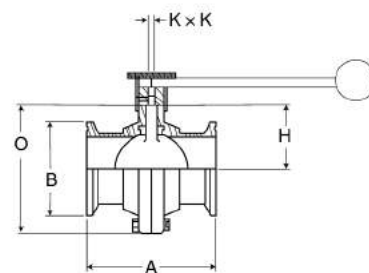


The dimensions listed in the tables may differ from reality

CLAMPED BUTTERFLY VALVE WITH LOCK

SS316

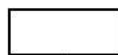
SIZE	O	B	KxK	A	H
½"	3.070	1.000	8.2x8.2	2.677	1.535
¾"	3.070	1.000	8.2x8.2	2.677	1.535
1"	3.070	1.988	8.2x8.2	2.677	1.535
1 ½"	3.149	1.988	8.2x8.2	2.834	1.574
2"	3.936	2.519	8.2x8.2	2.879	1.968
2 ½"	4.530	3.051	10.0x10.0	2.838	2.303
3"	5.040	3.582	10.0x10.0	2.918	2.539
4"	6.299	4.685	10.0x10.0	3.543	3.149
6"	8.858	6.574	12.0x12.0	5.724	4.429
8"	11.220	8.543	14.0x14.0	5.960	5.610
10"	FOR MORE DETAILS CALL US				



INCLUDES EPDM SEAT
FOR OTHER GASKET MATERIALS SEE PAGE 62

Ordering information

EQ20420276



½" & ¾"	075
1" & 1 ½"	150
2"	200
2 ½"	250
3"	300
4"	400
6"	600
8"	800
10"	1000
12"	1200
DIMENSION	



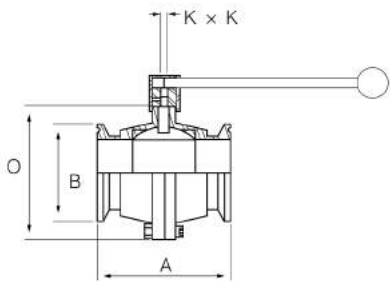
The dimensions listed in the tables may differ from reality

CLAMPED BUTTERFLY-TYPE BALL VALVE



SS316

SIZE	A	O	B	KxK
½"	2.762	2.522	1	8x8
¾"	2.762	2.522	1	8x8
1"	3.582	3.385	1.988	8x8
1 ½"	3.945	3.582	1.988	11x11
2"	4.170	4.520	2.519	11x11
2 ½"	4.920	5.780	2.519	11x11
3"	5.375	6.270	3.582	11x11
4"	FOR MORE DETAILS CALL US			



Ordering information

EQ2072006

SS304	4
SS316	6
MATERIAL	

¾"	075
1"	100
1 ½"	150
2"	200
4"	400
DIMENSION	

The dimensions listed in the tables may differ from reality



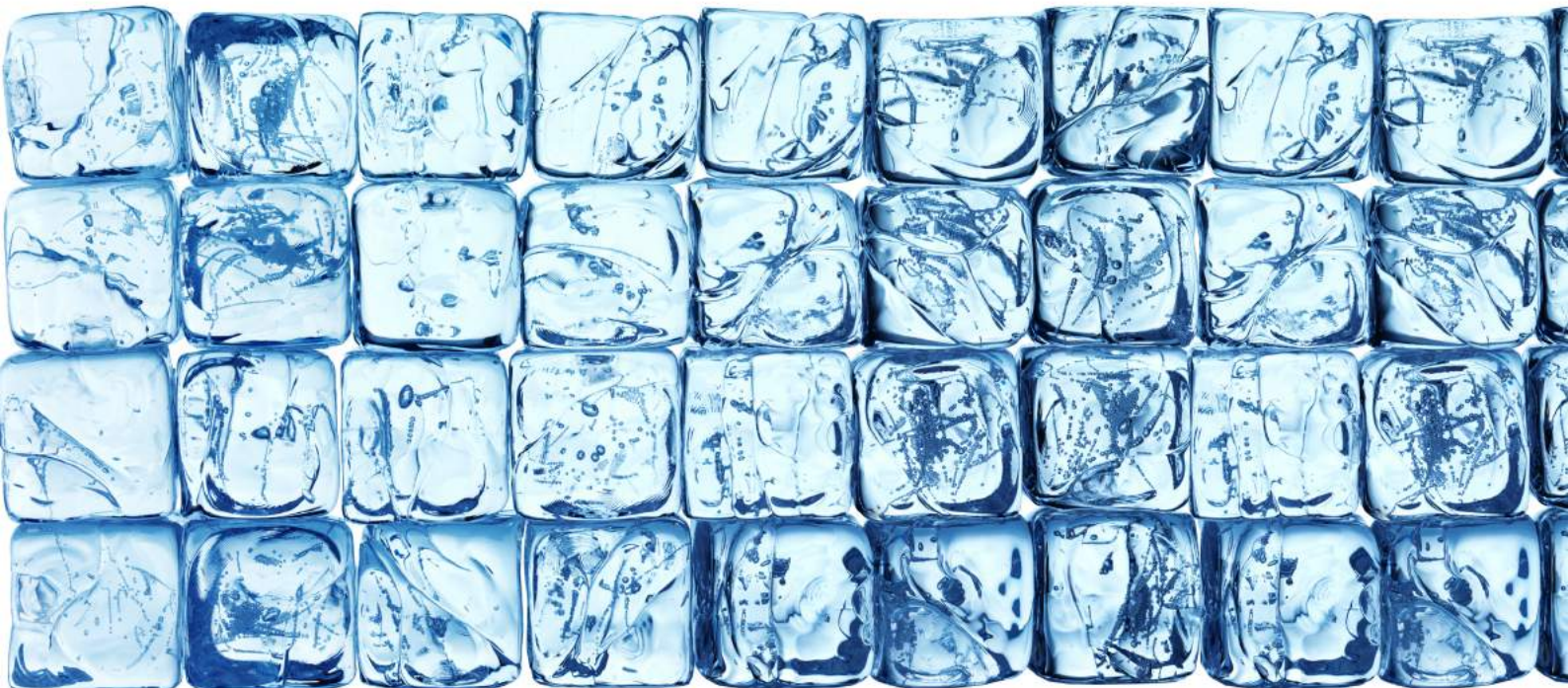
SPRING RETURN PNEUMATIC ACTUATOR

SPRING RETURN ACTUATOR CAN BE IN A NORMALLY OPEN OR NORMALLY CLOSED CONFIGURATION. IT CAN BE INSTALLED ON BUTTERFLY VALVES AND BUTTERFLY TYPE-BALL VALVE. VALVES ALREADY EQUIPED WITH A SPRING RETURN PNEUMATIC ACTUATOR ARE ALSO AVAILABLE.

FOR MORE INFORMATION ON THIS PRODUCT OR ORDERING INFORMATION, PLEASE CONTACT US.

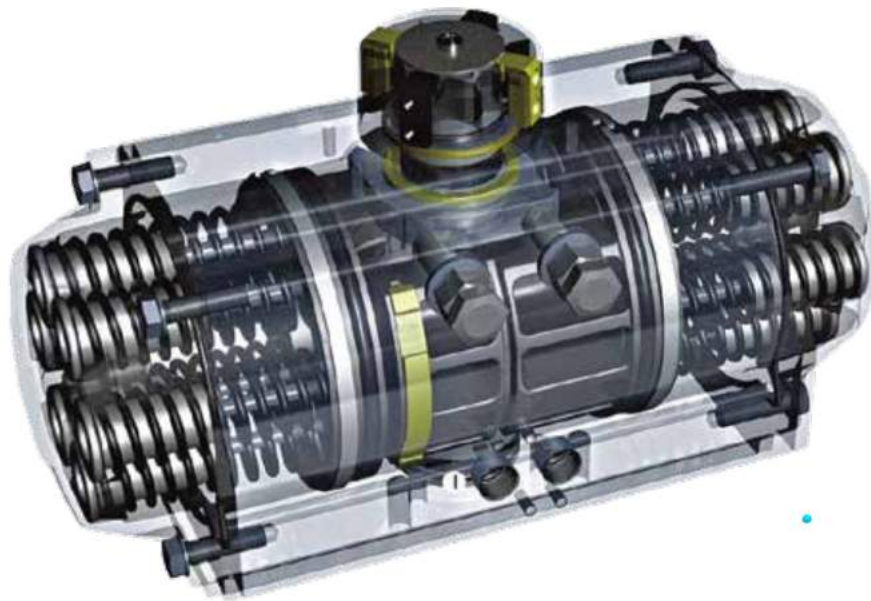
EMAIL: INFO@EQUINOXSTAINLESS.COM

TEL: 1-877-537-5933



ALUMINUM DOUBLE-ACTING PNEUMATIC ACTUATOR

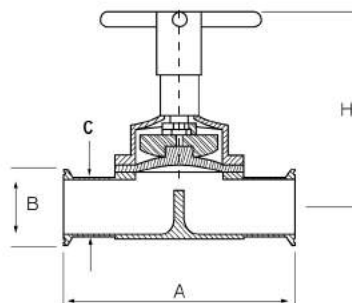
DOUBLE-ACTION ALUMINUM ACTUATORS CAN BE INSTALLED ON BUTTERFLY AND BALL VALVE TYPE-BUTTERFLY VALVES. VALVES ALREADY EQUIPPED WITH A SPRING RETURN PNEUMATIC ACTUATOR ARE ALSO AVAILABLE.



CLAMPED DIAPHRAGM VALVE

SS316

SIZE	A	B	C	H	< °
½"	4.212	1.988	0.804	3,375"/4,125"	60
¾"	4.566	1.988	0.920	3,375"/4,5"	60-65
1"	4.921	1.988	1.090	3,75"/4,875"	60-65
1 ½"	6.38	1.988	1.585	5,75"/7,25"	67.2
2"	7.48	2.519	2.150	6" / 7"	70
2 ½"	8.375	3.051	2.600	8, 5"/10"	70
3"	8.875	3.582	3.120	8,125"/10,75"	70



THE UNIQUE DESIGN OF EQUINOX FAST ACTION DIAPHRAGM VALVE MAKES IT RELIABLE AND USER FRIENDLY. VALVE CAN BE COMPLETELY OPEN OR CLOSED.



Ordering information

EQ20520076

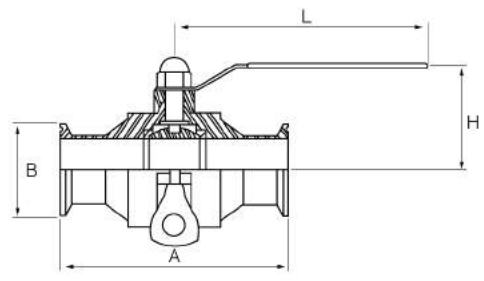
½"	050
¾"	075
1"	100
1 ½"	150
2"	200
2 ½"	250
3"	300

DIMENSION

The dimensions listed in the tables may differ from reality



QUICK DISMOUNTABLE BALL VALVE



SS316

SIZE	A	B	H	L
3/4"	3.543	1	2.559	4.133
1"	4.330	1.988	2.755	4.133
1 1/4"	4.724	1.988	3.149	5.118
1 1/2"	5.511	1.988	3.750	6.250
2"	6.456	2.519	3.840	6.299
2 1/4"	6.692	3.051	4.330	7.086
2 1/2"	7.086	3.051	4.330	7.086
3"	7.250	3.625	5.375	7.750

Ordering information

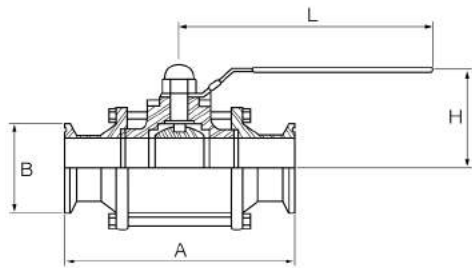
EQ20720086

DIMENSION	
3/4"	075
1"	100
1 1/2"	150
2"	200
2 1/4"	225
2 1/2"	250
3"	300

The dimensions listed in the tables may differ from reality



CLAMPED 3-PIECES BALL VALVE



INCLUDES TEFLON SEAT



SS316

SIZE	A	B	H	L
½"	2.952	1.000	2.519	5
¾"	3.543	1.000	2.637	5
1"	3.936	1.988	3.267	5.511
1 ½"	4.921	1.988	3.936	7.873
2"	5.905	2.519	4.251	7.873
2 ½"	7.480	3.051	5.905	9.842
3"	8.661	3.582	6.338	9.842

Ordering information

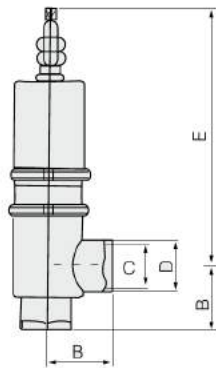
EQ20721076

½"	050	↑ []
¾"	075	
1"	100	
1 ½"	150	
2"	200	
2 ½"	250	
3"	300	
DIMENSION		



The dimensions listed in the tables may differ from reality

CLAMPED OVERFLOW VALVE (SAFETY)

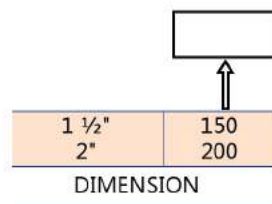


SS316

SIZE	B	C	D	E
1 1/2"	2 7/8	1 1/2	1.988	9
2"	3 1/2	2	2.519	11 1/4

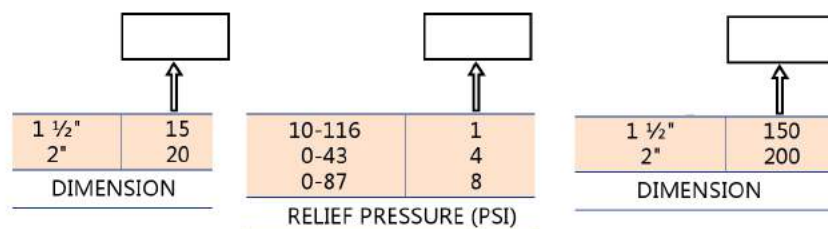
Ordering information

EQ20810016



SPRING FOR OVERFLOW VALVE

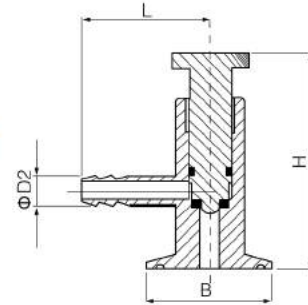
EQ20811014



CLAMPED SAMPLE VALVE

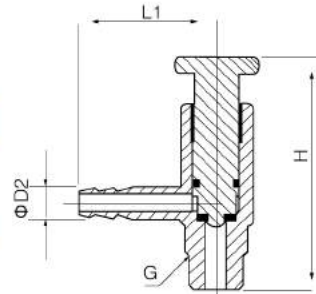


CLAMPED: EQ21220026150				
SIZE	H	D2	B	L1
1 1/2"	3 1/2	1/2	1.988	2



NPT: EQ21230016038				
SIZE	H	D2	G	L1
3/8"	3 1/8	1/2	3/8 NPT	2

NPT: EQ21230016050				
SIZE	H	D2	G	L1
1/2"	3 1/8	1/2	1/2 NPT	2



The dimensions listed in the tables may differ from reality

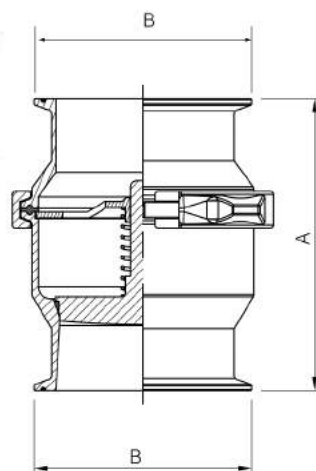


CLAMPED CHECK VALVE



SS316

SIZE	B	A
1/2"	1.000	3.769
3/4"	1.000	3.770
1"	1.988	3.850
1 1/2"	1.988	3.759
2"	2.519	4.160
2 1/2"	3.051	4.720
3"	3.582	4.900
4"	4.685	5.550



INCLUDES SILICON GASKET

Ordering information

EQ20520096

1/2"	050
3/4"	075
1"	100
1 1/2"	150
2"	200
2 1/2"	250
3"	300
4"	400
6"	600

DIMENSION



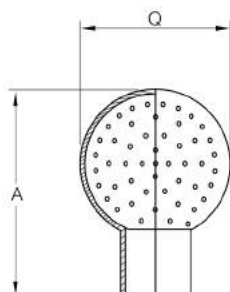
The dimensions listed in the tables may differ from reality

Aciers inoxydables
EQUINOX inc.
Stainless steel

CLEANING BALLS



WELDED FIX CLEANING BALL



SIZE	A	Q
1"	3.740	2.480
1 ½"	4.330	2.992
2"	4.921	3.582
2 ½"	5.314	3.936

Technical parameter			
SIZE	Pressure (PSI)	Cleaning Radius (Feet)	360°/180° Flow Rate (GPM)
1"	36.3	3' 3"-4' 1"	74.8/44.0
1 ¼"-1 ½"	36.3	4' 1"-5' 9"	101.3/74.8
2"	50.8	6' 6"-9' 9"	242.2/167.3
2 ½"	50.8	9' 9"-11' 6"	255.4/180.5

SS316

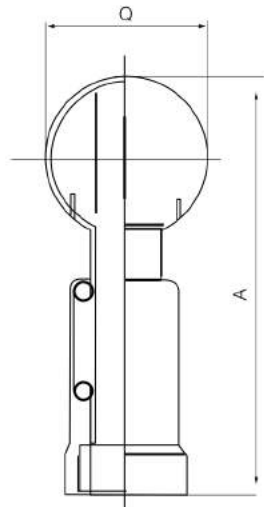
Ordering information

EQ31610086

↑	
1"	100
1 ½"	150
2"	200
2 ½"	250
DIMENSION	

The dimensions listed in the tables may differ from reality

THREADED ROTARY CLEANING BALL



SS316

SIZE	A	Q
3/8"	3.093	1.156
1/2"	4.406	1.562
1"	5.495	2.086
1 1/2"	5.393	2.086
2"	6.614	2.480
2 1/2"	7.480	2.992

Technical parameter			
SIZE	Pressure (PSI)	Cleaning Radius (Feet)	360°/180° Flow rate (GPM)
1"-1.5"	29.0	4' 1"	52.8
2"	29.0	4' 11"	167.3
2.5"	29.0	6' 6"	167.3

Ordering information

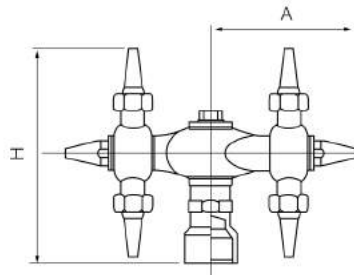
<div style="border: 1px solid black; width: 80px; height: 20px; margin: 0 auto;"></div> ↑		<div style="border: 1px solid black; width: 80px; height: 20px; margin: 0 auto;"></div> ↑	
BOLTED THREADED	EQ31600026 EQ31630016	3/8"	037
BALL TYPE		1/2"	050
		3/4"	075
		1"	100
		1 1/2"	150
		2"	200
		2 1/2"	250
		DIMENSION	

The dimensions listed in the tables may differ from reality





THREADED MULTI-ROTARY CLEANING BALL



SS316

SIZE	A	H	Pressure (PSI)	Cleaning Radius (FEET)	Flow Rate (GPM)
1"	4.645	6.889	21.8-29.0	6' 6"-9' 10"	101.3
1 ½"	5.590	7.873	26.1-36.3	8' 2"-9' 10"	167.3
2"	5.708	8.070	36.3-43.5	11' 6"-13' 1"	264.2

The dimensions listed in the tables may differ from reality

Ordering information

<div style="border: 1px solid black; width: 80px; height: 20px; margin: 0 auto;"></div>					
↑					
<table border="1"> <tr> <td>BOLTED</td> <td>EQ31600106</td> </tr> <tr> <td>THREADED</td> <td>EQ31630096</td> </tr> </table>	BOLTED	EQ31600106	THREADED	EQ31630096	
BOLTED	EQ31600106				
THREADED	EQ31630096				
BALL TYPE					

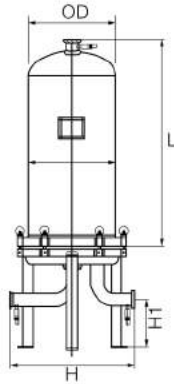
<div style="border: 1px solid black; width: 80px; height: 20px; margin: 0 auto;"></div>							
↑							
<table border="1"> <tr> <td>½"</td> <td>100</td> </tr> <tr> <td>1 ½"</td> <td>150</td> </tr> <tr> <td>2"</td> <td>200</td> </tr> </table>	½"	100	1 ½"	150	2"	200	
½"	100						
1 ½"	150						
2"	200						
DIMENSION							

Aciers inoxydables
EQUINOX inc.
Stainless steel

FILTER
STRAINER
AND REBREATHER



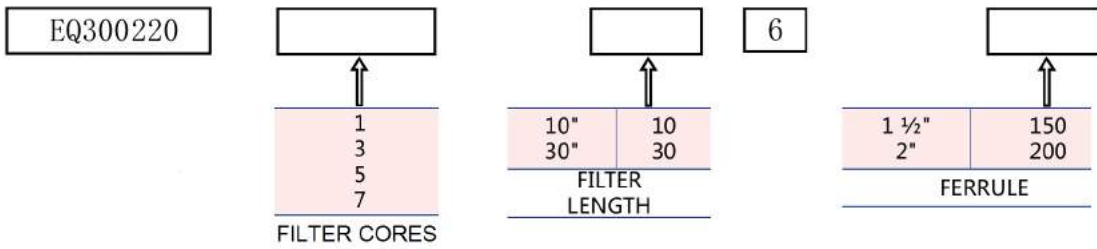
FILTER HOUSING



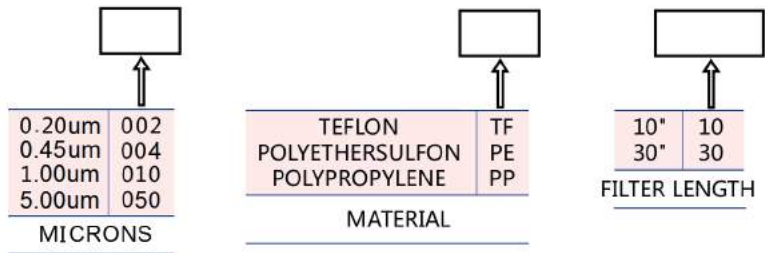
SS316

SIZE	OD	H	H1	L
ONE CORE FILTER				
10"	200	300	150	360
30"	200	300	150	868
THREE CORES FILTER				
30"	200	300	150	880
FIVE CORES FILTER				
30"	210	335	150	880
SEVEN CORES FILTER				
30"	273	390	150	880

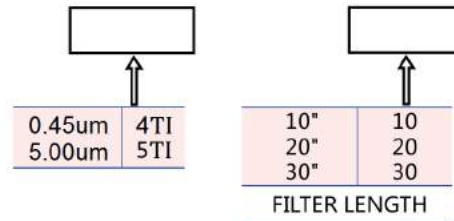
Ordering information



Filter cartridge: EQ30121



Micro filtration titanium cartridge: EQ3011300

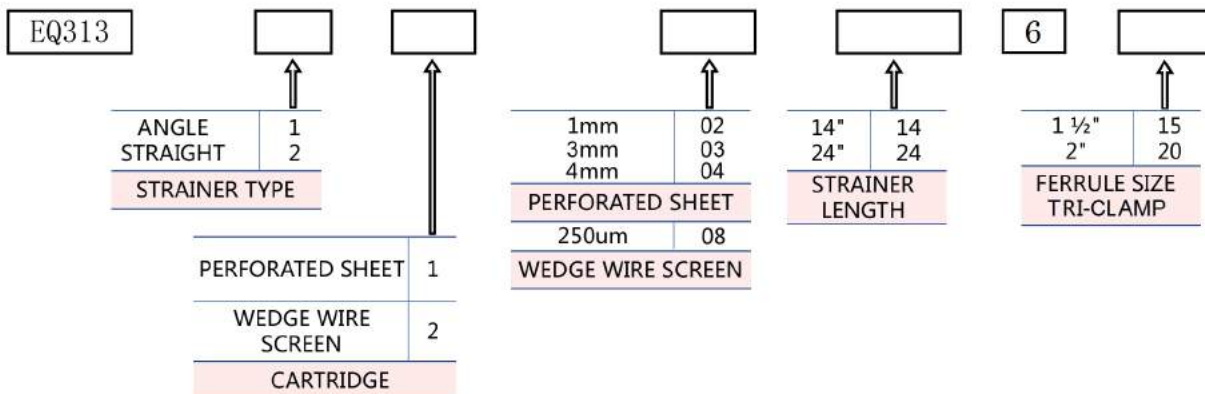


The dimensions listed in the tables may differ from reality

STRAIGHT AND ANGLE STRAINER

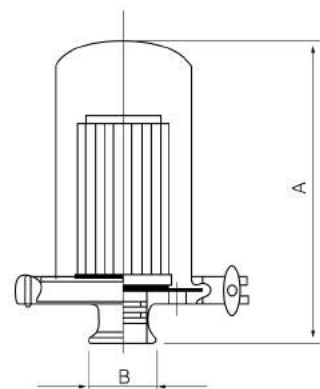


SIZE	A	D5
1 1/2"	14/24	3.500
2"	14/24	3.500



The dimensions listed in the tables may differ from reality

REBREATHER



REBREATHER CARTRIDGE FIT IN 1-1/2" AND 2" MODELS

SS316

SIZE	A	B
1"	7 1/16	1.988
1 1/2"	7 1/16	1.988
2"	7 1/16	2.519

Ordering information

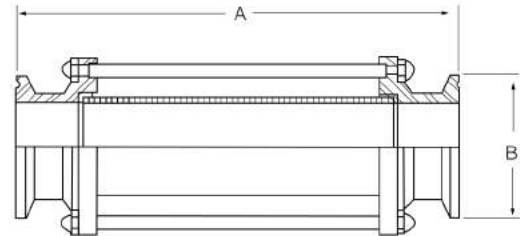
EQ31320106

↑	
1 1/2"	150
2"	200
FERRULE SIZE	

The dimensions listed in the tables may differ from reality



INLINE SIGHT GLASS



SS316

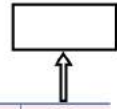
SIZE	A	B
½"	6.142	1.000
¾"	6.142	1.000
1"	6.142	1.988
1 ½"	6.299	1.988
2"	6.535	2.519
2 ½"	6.629	3.051
3"	6.850	3.582
4"	7.638	4.685
6"	9.291	6.575



SIGHT GLASS DN AND TEMPERED AVAILABLE

Ordering information

EQ31420206



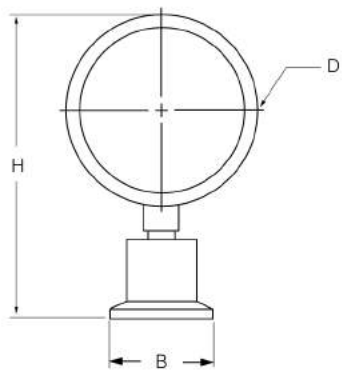
½"	050
¾"	075
2"	200
1"	100
1 ½"	150
2"	200
3"	300
4"	400
6"	600
SIZE	

The dimensions listed in the tables may differ from reality

DIAPHRAGM PRESSURE GAUGE

SIZE	B	D	H
1 1/2"	1.988	2 3/4	4 1/4
2"	2.519	2 3/4	4 3/8
Pressure Range			
0-30PSI	0-50PSI	0-100PSI	0-140PSI
Glycerine Filled			

SS316 Diaphragm



Ordering information

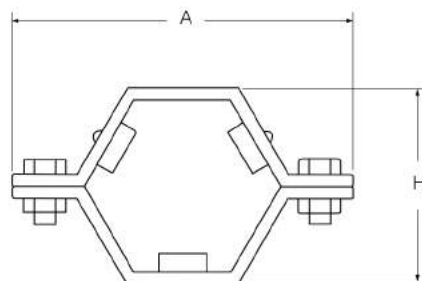
EQ5004

		6	
0-30 PSIG	030		
0-50 PSIG	050		
0-100 PSIG	100		
0-140 PSIG	140		
PRESSURE RANGE			
1 1/2"	150		
2"	200		
		FERRULE	

The dimensions listed in the tables may differ from reality



TUBE HANGER



Matériau: stainless steel 304

SIZE	A	H
½"	3	1
1"	3 ¾	1 ¾
1 ½"	3 ½	2
2"	4 ½	2 ½
2 ½"	4 ¾	2 ¾
3"	5 ½	3 ½
4"	6 ¾	4 ¼

Ordering information

EQ318001

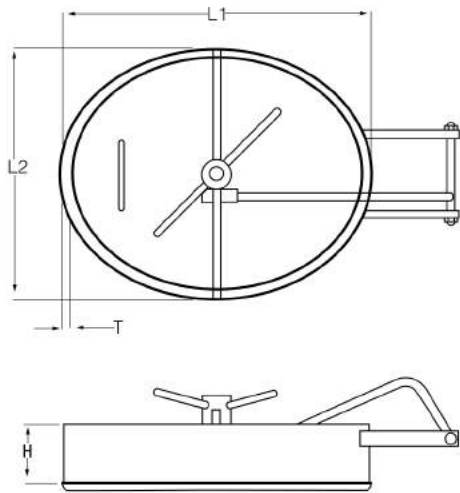
	□
	↑
Without Insert	34
PVC Insert	P4
MATERIAL	

	□
	↑
½"	050
1"	100
1 ½"	150
2"	200
2 ½"	250
3"	300
4"	400
SIZE	

The dimensions listed in the tables may differ from reality



ELLIPTICAL MANHOLE



SIZE	H	L1	L2	T
430mmx330mm	100	430	330	10.0
535mmx435mm	100	535	435	10.0
635mmx525mm	100	635	525	10.0

Ordering information

EQ3150003

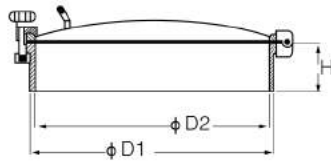
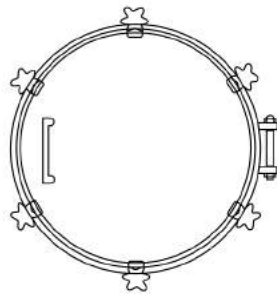
<table border="1"> <tr> <td>SS304</td> <td>4</td> </tr> <tr> <td>SS316</td> <td>6</td> </tr> </table>		SS304	4	SS316	6	<table border="1"> <tr> <td>430x330</td> <td>1</td> </tr> <tr> <td>535x435</td> <td>2</td> </tr> <tr> <td>635x525</td> <td>3</td> </tr> </table>		430x330	1	535x435	2	635x525	3	<table border="1"> <tr> <td>100mm</td> <td>2</td> </tr> </table>		100mm	2	<table border="1"> <tr> <td>EPDM</td> <td>E</td> </tr> <tr> <td>SILICON</td> <td>S</td> </tr> </table>		EPDM	E	SILICON	S
SS304	4																						
SS316	6																						
430x330	1																						
535x435	2																						
635x525	3																						
100mm	2																						
EPDM	E																						
SILICON	S																						
MATERIAL		SIZE		RING HEIGHT		GASKET																	

The dimensions listed in the tables may differ from reality

PRESSURE CIRCULAR MANHOLE



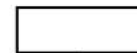
PRESSURE CIRCULAR MANHOLE INCLUDES A SILICON GASKET FOR MORE GASKETS MATERIALS SEE P.65



SIZE	H	D1	D2
Ø200	120	200	194
Ø220	120	220	214
Ø300	120	300	294
Ø350	120	350	344
Ø400	120	400	394
Ø430	120	430	424
Ø450	120	450	444
Ø500	120	500	494
Ø600	120	600	594
Ø765	120	765	759

Ordering information

EQ31500056



200mm	200
220mm	220
300mm	300
350mm	350
400mm	400
430mm	430
450mm	450
500mm	500
600mm	600
765mm	765

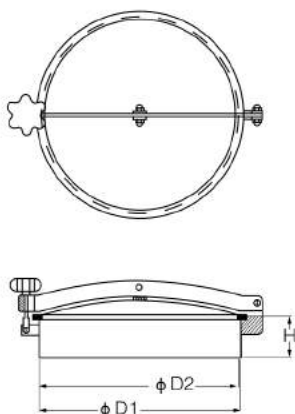
SIZE



The dimensions listed in the tables may differ from reality

PRESSURE CIRCULAR MANHOLE WITHOUT PRESSURE

NO-PRESSURE CIRCULAR MANHOLE INCLUDES A SILICON GASKET
FOR MORE GASKETS MATERIALS SEE P.65



SIZE	H	D1	D2
Ø150	100	150	144
Ø200	100	200	194
Ø250	100	250	244
Ø300	100	300	294
Ø350	100	350	344
Ø400	100	400	394
Ø430	100	430	424
Ø450	100	450	444
Ø500	100	500	494
Ø600	100	600	594

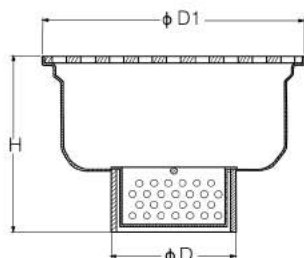
Ordering information

EQ3150006

MATERIAL		SIZE	
SS304	4	150mm	150
SS306	6	200mm	200
		250mm	250
		300mm	300
		350mm	350
		400mm	400
		430mm	430
		450mm	450
		500mm	500
		600mm	600

The dimensions listed in the tables may differ from reality

FLOOR DRAIN

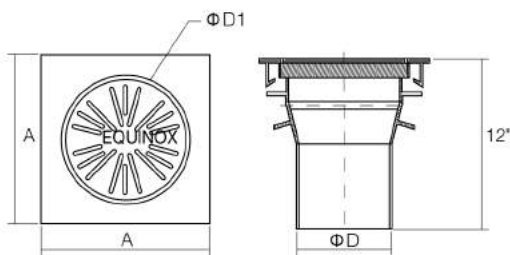


SIZE	H	ØD1	ØD
4"	5 1/8"	9"	4 NPT

Ordering information

EQ3130011M4400

HEAVY DUTY FLOOR DRAIN



SIZE	A	ØD1	ØD
6"	12"	9"	6"



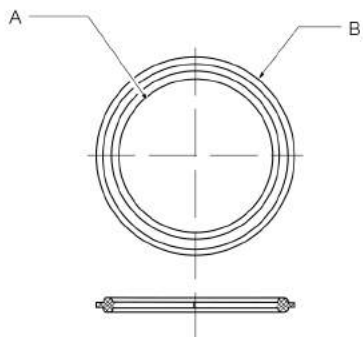
EQ3130012SQ460

Dimension (A) can be modified according to your needs

GASKETS



CLAMPED GASKETS



SIZE	A	B
½"	0.425	1.000
¾"	0.650	1.000
1"	0.887	1.988
1 ½"	1.400	1.988
2"	1.868	2.519
2 ½"	2.368	3.051
3"	2.868	3.582
3 ½"	3.360	4.173
4"	3.832	4.685
6"	5.832	6.575
8"	7.832	8.570

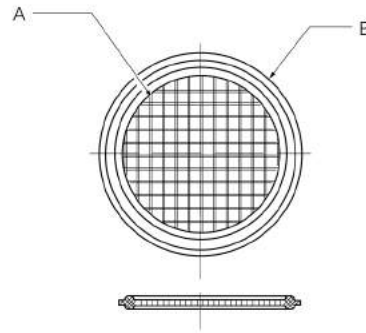
The dimensions listed in the tables may differ from reality



Other material ordering information

EQ40MP			
BUNA	U	3/4"	075
EPDM	E	1"	100
SILICON	S	1 ½"	150
TEFLON	T	2"	200
VITON	V	2 ½"	250
MATERIAL		3"	300
		3 ½"	350
		4"	400
		6"	600
		8"	800
		10"	1000
		12"	1200
		SIZE	

CLAMPED MESH SCREEN GASKETS



SIZE	A	B
1"	0.887	1.988
1 ½"	1.400	1.988
2"	1.868	2.519
2 ½"	2.368	3.051
3"	2.868	3.582
4"	3.832	4.685
6"	5.832	6.575
8"	7.832	8.570

Ordering information

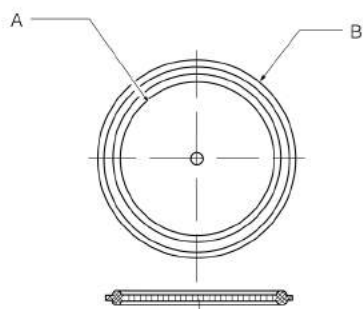
EQ40MPS		[]	[]	[]		
↑		↑	↑	↑		
BUNA	U	MESH #	#4	M004	1"	10
TEFLON	G		#6	M006	1 ½"	15
EPDM	E		#10	M010	2"	20
VITON	V		#20	M020	2 ½"	25
MATERIAL			#30	M030	3"	30
		#40	M040	4"	40	
		#60	M060	6"	60	
		#100	M100	8"	80	
		MESH #		SIZE		

MESH SCREEN IS MADE OF STAINLESS STEEL 316

CLAMPED ORIFICE PLATE GASKET



SIZE	A	B
1"	0.887	1.988
1 ½"	1.400	1.988
2"	1.868	2.519
2 ½"	2.368	3.051
3"	2.868	3.582
4"	3.832	4.685
6"	5.832	6.575
8"	7.832	8.570



ORIFICE SIZE: 1/8"

Ordering information

EQ40MPO

[]

012

[]

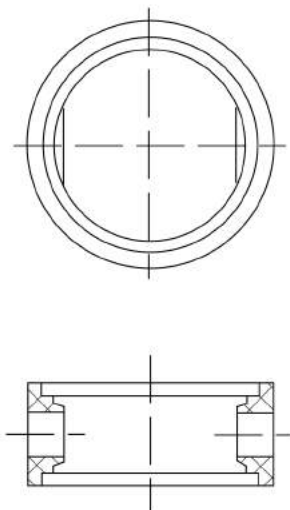
BUNA	U
EPDM	E
TEFLON	T
VITON	V
MATERIAL	

1"	100
1 ½"	150
2"	200
2 ½"	250
3"	300
4"	400
6"	600
8"	800
SIZE	

The dimensions listed in the tables may differ from reality

BUTTERFLY VALVE GASKET

VALVE SIZE
3/4"
1"
1 1/2"
2"
3"
4"
6"
8"
10"



Ordering information

EQ2042028

EPDM	E
SILICON	S
VITON	V
MATERIAL	

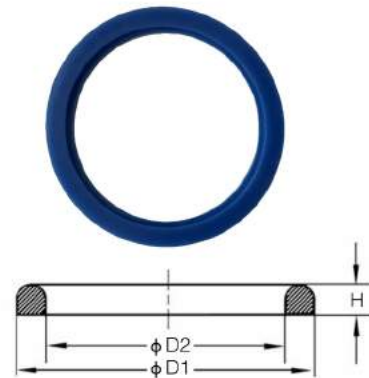
3/4"	075
1"	100
1 1/2"	150
2"	200
2 1/2"	250
3"	300
4"	400
6"	600
8"	800
SIZE	

The dimensions listed in the tables may differ from reality

GASKET DIN AND SMS

Ordering information

EQ4GSKTDINS		
		↑
DN25	025	
DN32	032	
DN40	040	
DN50	050	
DN65	065	
DN80	080	
DN100	100	
SIZE		

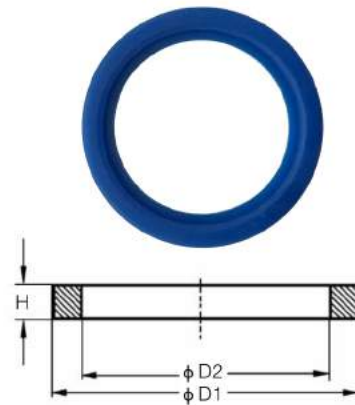


SIZE	H	D1	D2
DN25	5	40	30
DN32	5	46	36
DN40	5	52	42
DN50	5	64	54
DN65	5	81	71
DN80	5	95	85
DN100	6	114	104

Silicon

Ordering information

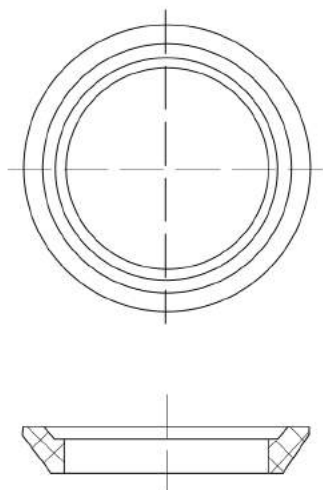
EQ4GSKTSMSS		
		↑
SMS25	025	
SMS38	038	
SMS51	051	
SMS63	063	
SMS76	076	
SMS102	102	
SIZE		



SIZE	H	D1	D2
SMS25	5,5	32	25
SMS38	5,5	48	38
SMS51	5,5	61	51
SMS63	5,5	74	63
SMS76	5,5	86	76
SMS102	5,5	113	102

Silicon

BEVEL SEAT GASKET



SIZE
1"
1 ½"
2"
2 ½"
3"
4"
6"

Ordering information

EQ40BS

<div style="border: 1px solid black; width: 60px; height: 20px; margin: 0 auto;"></div>	
<div style="border: 1px solid black; width: 10px; height: 10px; margin: 0 auto;"></div>	<div style="border: 1px solid black; width: 10px; height: 10px; margin: 0 auto;"></div>
BUNA TEFLON EPDM	B T E
MATERIAL	

<div style="border: 1px solid black; width: 60px; height: 20px; margin: 0 auto;"></div>	
<div style="border: 1px solid black; width: 10px; height: 10px; margin: 0 auto;"></div>	<div style="border: 1px solid black; width: 10px; height: 10px; margin: 0 auto;"></div>
1" 1 ½" 2" 2 ½" 3" 4"	0100 0150 0200 0250 0300 0400
SIZE	

The dimensions listed in the tables may differ from reality



MANHOLE GASKET



Elliptical manhole gasket ordering information

EQ3150003		<input type="text"/>		<input type="text"/>	
EPDM	E	435mm x335mm	435		
SILICON	S	535mm x435mm	535		
MATERIAL		MANHOLE SIZE			
		635mm x525mm	635		



Circular manhole gasket ordering information

<input type="text"/>		<input type="text"/>		<input type="text"/>	
PRESSURE CIRCULAR	EQ3150005	EPDM	E	150mm	150
NO-PRESSURE CIRCULAR	EQ3150006	SILICON	S	200mm	200
MANHOLE TYPE		MATERIAL		220mm	220
		VITON	V	250mm	250
				300mm	300
				350mm	350
				400mm	400
				430mm	430
				450mm	450
				500mm	500
				600mm	600
				765mm	765
				SIZE	

CAM LOCK ADAPTORS



TYPE A
ADAPTOR FEMALE THREAD



TYPE B
COUPLER MALE THREAD



TYPE C
HOSE SHANK COUPLER



TYPE D
COUPLER FEMALE THREAD



TYPE E
HOSE SHANK ADAPTOR



TYPE F
ADAPTOR MALE THREAD



TYPE DC
DUST CAP



TYPE DP
DUST PLUG

PIPE FITTINGS



HALF COUPLING



FULL COUPLING



NIPPLE CLOSE



NIPPLE LONG



NIPPLE HEX



NIPPLE HOSE



CAP



SQUARE PLUG



ELBOW 45



ELBOW 90



TEE



COUPLING REDUCER



CROSS



STREET ELBOW



UNION



BUSHING REDUCER

STAINLESS STEEL TROLLEY



Stainless steel 304 Trolley.
 Mirror finish.
 Exterior dimension: Width: 30"
 Length: 30.5" Height: 28":200L
 Length:30.5"Height:28"37"300L

Ordering information

EQ7014

[]	
SS304	4
MATERIAL	

[]	
200 LITRES	200
300 LITRES	3000
SIZE	

STAINLESS STEEL PERFORATED TROLLEY



Stainless steel 304 perforated Trolley.
 Mirror finish.
 Exterior dimension: Width: 30"
 Length: 30.5" Height: 28"



Ordering information

EQ7015

[]	
SS304	4
SS316	6
MATERIAL	

[]	
200 LITRES	200
300 LITRES	300
SIZE	

STAINLESS STEEL SEALED BARREL

AVAILABLE DIMENSIONS: Ø22.5" X 27.5" HIGH. TOTAL: 170 LITERS
 Ø22.5" X 31.5" HIGH. TOTAL: 220 LITERS
 Ø22.5" X 34.5" HIGH. TOTAL: 220 LITERS



Ordering information

EQ7030

SS304	4
SS316	6
MATERIAL	

170 LITRES	170
200 LITRES	200
220 LITRES	220
SIZE	



STAINLESS STEEL TABLE ON WHEELS



Ordering information

EQ7030

SS304	4
SS316	6
MATERIAL	

PROCESSING EQUIPMENTS

Kettles	73
Pumps	74
High Shear Mixing Pump	74
Emulsifier	74



STAINLESS STEEL KETTLE



FOR MORE INFORMATION ON THESE PRODUCTS, PLEASE CONTACT US

EMAIL: INFO@EQUINOXSTAINLESS.COM

TEL: 1-877-537-5933

OTHER AVAILABLE EQUIPMENTS

WEDGE WIRE SCREENS



PUMP



HIGH SHEAR MIXING PUMP



EMULSIFIER



CUSTOMIZED FABRICATION





SUPPLIED SERVICE MOBILE PASSIVATION UNIT



FOR A MORE RESISTANT TO CORROSION AND CLEANER EQUIPMENTS,
EQUINOX CAN DO A PASSIVATION ON SITE OR AT OUR SHOP.



Aciers inoxydables

EQUINOX inc.

Stainless steel



Sanitary Fitting Quincaillerie Sanitaire

Catalogue 2019-2020

WWW.EQUINOXSTAINLESS.COM

1 (877) 537-5933

3930, ALFRED-LALIBERTÉ, BOISBRIAND, QC J7H 1P8

TEL: (450) 437-5933 FAX: (450) 437-6094 INFO@EQUINOXSTAINLESS.COM